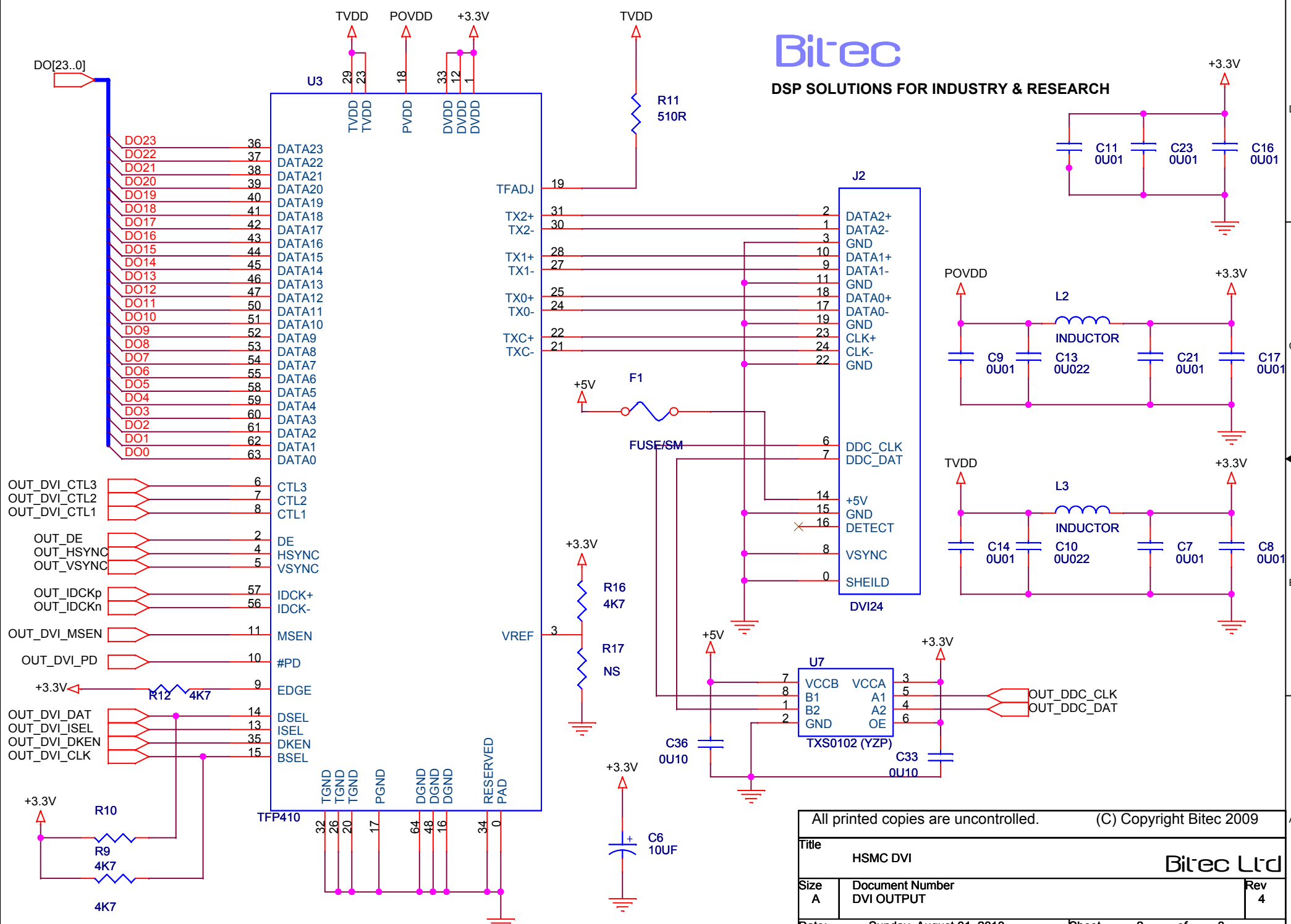


All printed copies are uncontrolled. (C) Copyright Bitec Ltd 2009

Title		HSMC DVI		Bitec	Rev 4
Size B	Document Number HSMC CONNECTORS				
Date:	Wednesday, July 28, 2010			Sheet	1 of 1



DSP SOLUTIONS FOR INDUSTRY & RESEARCH



All printed copies are uncontrolled. (C) Copyright Bitec 2009

Title		HSMC DVI		Bitec Ltd	
Size	A	Document Number	DVI OUTPUT		
Date:	Sunday, August 01, 2010		Sheet	2	of 3
				Rev	4